

WHERE TO START WITH YOUR NI 4060 PXI-BASED MULTIMETER

The following section explains how to begin using your NI 4060.

Set Up and Test Using Windows 95/NT

You can control the NI 4060 interactively with the VirtualBench-DMM located on your National Instruments DMM software CD or programmatically with an Application Development Environment using the supplied IVI instrument driver. The supported ADEs include LabVIEW, LabWindows/CVI, Visual Basic, and other C or C++ environments. The following instructions describe how to set up your NI 4060.

1. If you are using an ADE (e.g., LabVIEW, LabWindows/CVI, or third party tools), install it now if you have not already done so.
2. Install the NI DMM software. The software CD includes the required software to configure, test, and program the operation of your NI 4060.
 - a. Insert your National Instruments DMM software CD into your CD-ROM drive. Click on the **Install** option from the installation window.
 - b. To install the driver, VirtualBench, and ADE examples, choose the programmatic installation option. To install only the instrument driver and VirtualBench, choose the interactive installation option.
3. Install your NI 4060. The following figure illustrates the NI 4060 hardware installation.



Caution

You must turn off your PC or chassis before installing your NI 4060. To prevent damage due to ESD or contamination, handle the board using the edges or the metal bracket.

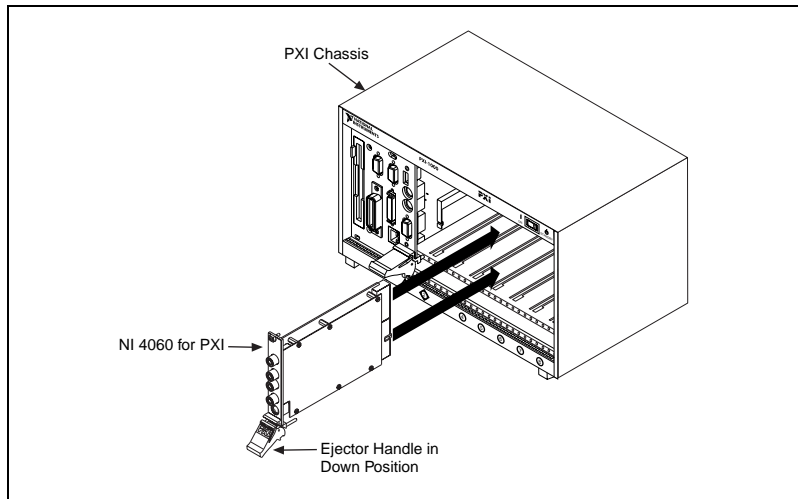


Figure 1. NI 4060 for PXI

4. Run the NI-DAQ Configuration Utility to configure and test your NI 4060. If you need help during the configuration and testing process, open the *NI-DAQ Configuration Utility Help* file by selecting **Help Topics** from the **Help** menu.
 - a. Open the NI-DAQ Configuration Utility from the **Start>Programs>NI-DAQ for Windows** menu.
 - b. The NI-DAQ configuration utility detects the NI 4060 you installed and the **Found New NI-DAQ Hardware** dialog box opens. Click on **Yes** to use this in your configuration.
 - c. In the **System** window, assign a device number to your NI 4060. You will use this number to access your NI 4060 from software applications. Click on **Finish**.
 - d. Highlight your NI 4060 in the **NI-DAQ Devices** list and click on the **Configure** button.
 - e. From the **Configuring Device** window, click on the **Test Resources** button to test the NI 4060 resources. A dialog box appears and indicates if the resource test has passed.
 - f. Click on **Run Test Panels...** to run the functional test panels and begin using your NI 4060. Connect a signal to your NI 4060 and select the appropriate range and mode.
 - g. Click on **Close** when you finish testing your NI 4060. Click on **OK** from the **Configuring Device** window to return to the NI-DAQ Configuration Utility main window.

- h. Select the **Save** option in the NI-DAQ Configuration Utility **File** menu to save your NI 4060 configuration settings.
- i. Select the **Exit** option in the NI-DAQ Configuration Utility **File** menu to exit the configuration utility.

You have successfully installed and configured the necessary software and hardware to use your NI 4060 with the NI DMM software.

5. Launch the soft front panel. Open the DMM soft front panel from the **Start»Program»National Instruments DMM** menu. Refer to your *NI 4060 User Manual* for more information on this soft front panel.
6. Begin programming your NI 4060 in your ADE. Refer to the *National Instruments DMM Help* file (DMM Help) in the **Start»Programs»National Instruments DMM** menu for more information on programming your NI 4060 with the instrument driver.